

Single-use Accessories Catalog



CONTENTS

Tubing Plug	01
3-Way & 4-Way Joint Fitting	02
Straight Tube Fitting	03
EC Easy Connector	04
PP Adapter Fitting	05
Pinch Clamp & Pinch Valve	06
TC Clamp	06
TC Blind Cap	07
Silicone Gasket	07
STS Platinum Cured Silicone Tubing	08
Bag Port	09
Powder Port	09
Boat Port & Electrode Port	10
Tubing Bag Port	11
Drain Valve	11

Tubing Plug



► Features

- Polypropylene (PP) material, ideal for single-use applications and general-purpose.
- Withstand vacuum pressure at room temperature to 5.5 bar.
- Can be sterilized by gamma irradiation at 25-45 kGy or autoclaved 30 minutes at 126 °C.

► Ordering Information

Part No.	Size	Packaging	Qty (pcs/pk)
SFPL1N	1/8"(3.2mm) HB	Sterile/ Non-sterile	10
SFPR1N	1/4"(6.4mm) HB	Sterile/ Non-sterile	10
SFPY1N	3/8"(9.6mm) HB	Sterile/ Non-sterile	10
SFPH1N	1/2"(12.7mm) HB	Sterile/ Non-sterile	10
SFPM1N	3/4"(19mm) HB	Sterile/ Non-sterile	10
SFPC5N	Female Luer Plug	Sterile/ Non-sterile	50
SFPP5N	Male Luer Plug	Sterile/ Non-sterile	50

3-Way & 4-Way Joint Fitting



► Features

- Polypropylene (PP) material, ideal for single-use applications and general-purpose.
- Withstand vacuum pressure at room temperature to 5.5 bar.
- Can be sterilized by autoclaved 30 minutes at 126 °c.(except G-Fitting) or gamma irradiation at 25-45 kGy .

► Ordering Information

Part No.	Fitting Type	Barb Type	Size	Packaging	Qty (pcs/pk)
SFTRRR1N	T-Fitting	Equal Barbed	1/4"(6.4mm) HB	Sterile/ Non-sterile	10
SFTYYY1N	T-Fitting	Equal Barbed	3/8"(9.6mm) HB	Sterile/ Non-sterile	10
SFTYYR1N	T-Fitting	Reducer	3/8"(9.6mm) HB-3/8"(9.6mm) HB-1/4"(6.4mm) HB	Sterile/ Non-sterile	10
SFYLLL1N	Y-Fitting	Equal Barbed	1/8"(3.2mm) HB	Sterile/ Non-sterile	10
SFYQQQ1N	Y-Fitting	Equal Barbed	3/32"(2.4mm) HB	Sterile/ Non-sterile	10
SFYEEE1N	Y-Fitting	Equal Barbed	3/16"(4.8mm) HB	Sterile/ Non-sterile	10
SFYRRR1N	Y-Fitting	Equal Barbed	1/4"(6.4mm) HB	Sterile/ Non-sterile	10
SFYHHH1N	Y-Fitting	Equal Barbed	1/2"(12.7mm) HB	Sterile/ Non-sterile	10
SFYLLR1N	Y-Fitting	Reducer	1/8"(3.2mm) HB-1/8"(3.2mm) HB-1/4"(6.4mm) HB	Sterile/ Non-sterile	10
SFYRRY1N	Y-Fitting	Reducer	1/4"(6.4mm) HB-1/4"(6.4mm) HB-3/8"(9.6mm) HB	Sterile/ Non-sterile	10
SFXLLL1N	X-Fitting	Equal Barbed	1/8"(3.2mm) HB	Sterile/ Non-sterile	10
SFXRRR1N	X-Fitting	Equal Barbed	1/4"(6.4mm) HB	Sterile/ Non-sterile	10
SFXYYY1N	X-Fitting	Equal Barbed	3/8"(9.6mm) HB	Sterile/ Non-sterile	10
SFGSYNN	G-Fitting	Reducer	3/8"(9.6mm) HB-3/8"(9.6mm) HB-1 1/2"(38mm) TC	Sterile/ Non-sterile	1
SFGSHNN	G-Fitting	Reducer	1/2"(12.7mm) HB-1/2"(12.7mm) HB-1 1/2"(38mm) TC	Sterile/ Non-sterile	1

Straight Tube Fitting



► Features

- Polypropylene (PP) material, ideal for single-use applications and general-purpose.
- Withstand vacuum pressure at room temperature to 5.5 bar.
- Can be sterilized by gamma irradiation at 25-45 kGy or autoclaved 30 minutes at 126 °C.

► Ordering Information

Part No.	Barb Type	Size	Packaging	Qty (pcs/pk)
SFLLL1N	Equal Barbed	1/8"(3.2mm) HB	Sterile/ Non-sterile	10
SFLRR1N	Equal Barbed	1/4"(6.4mm) HB	Sterile/ Non-sterile	10
SFLYY1N	Equal Barbed	3/8"(9.6mm) HB	Sterile/ Non-sterile	10
SFLHH1N	Equal Barbed	1/2"(12.7mm) HB	Sterile/ Non-sterile	10
SFLQL1N	Reducer	3/32"(2.4mm) HB to 1/8"(3.2mm) HB	Sterile/ Non-sterile	10
SFLLR1N	Reducer	1/8"(3.2mm) HB to 1/4"(6.4mm) HB	Sterile/ Non-sterile	10
SFLLY1N	Reducer	1/8"(3.2mm) HB to 3/8"(9.6mm) HB	Sterile/ Non-sterile	10
SFLRY1N	Reducer	1/4"(6.4mm) HB to 3/8"(9.6mm) HB	Sterile/ Non-sterile	10
SFLRH1N	Reducer	1/4"(6.4mm) HB to 1/2"(12.7mm) HB	Sterile/ Non-sterile	10
SFLYH1N	Reducer	3/8"(9.6mm) HB to 1/2"(12.7mm) HB	Sterile/ Non-sterile	10

EC Easy Connector



► Features

- Common sizes: 1/8", 1/4", 3/8", 1/2".
- Male and female connectors can be coupled regardless of size.
- Polysulfone material, can be sterilized by gamma irradiation at 25-45 kGy or autoclaved 60 minutes at 132 °C.
- At room temperature, the maximum operating pressure is 0.41 MPa.

► Ordering Information

Part No.	Type	Type	Size	Packaging	Qty (pcs/pk)
ECSSFL1N	ECS	Female Coupling Bodies	1/8"(3.2mm) HB	Sterile/ Non-sterile	10
ECSSFR1N	ECS	Female Coupling Bodies	1/4"(6.4mm) HB	Sterile/ Non-sterile	10
ECSSFY1N	ECS	Female Coupling Bodies	3/8"(9.6mm) HB	Sterile/ Non-sterile	10
ECSSFS1N	ECS	Female Coupling Bodies	1-1/2"(38mm) TC	Sterile/ Non-sterile	10
ECSSFP1N	ECS	Female Sealing Cap		Sterile/ Non-sterile	10
ECSSML1N	ECS	Male Coupling Inserts	1/8"(3.2mm) HB	Sterile/ Non-sterile	10
ECSSMR1N	ECS	Male Coupling Inserts	1/4"(6.4mm) HB	Sterile/ Non-sterile	10
ECSSMY1N	ECS	Male Coupling Inserts	3/8"(9.6mm) HB	Sterile/ Non-sterile	10
ECSSMS1N	ECS	Male Coupling Inserts	1-1/2"(38mm) TC	Sterile/ Non-sterile	10
ECSSMP1N	ECS	Male Sealing Plug		Sterile/ Non-sterile	10
ECMSFH1N	ECM	Female Coupling Bodies	1/2"(12.7mm) HB	Sterile/ Non-sterile	10
ECMSMH1N	ECM	Male Coupling Inserts	1/2"(12.7mm) HB	Sterile/ Non-sterile	10
ECMSFP1N	ECM	Female Sealing Cap		Sterile/ Non-sterile	10
ECMSMP1N	ECM	Male Sealing Plug		Sterile/ Non-sterile	10

PP Adapter Fitting



► Features

- Polypropylene (PP) material, ideal for single-use applications and general-purpose.
- Can be sterilized by gamma irradiation at 25-45 kGy or autoclaved 30 minutes at 126 °C.

► Ordering Information

Part No.	Type	Size	Packaging	Qty (pcs/pk)
SFLLP5N	Hose Barb to Luer Lock	Male Luer Lock to 1/8"(3.2mm) HB	Sterile/ Non-sterile	50
SFLRP5N	Hose Barb to Luer Lock	Male Luer Lock to 1/4"(6.4mm) HB	Sterile/ Non-sterile	50
SFLLC5N	Hose Barb to Luer Lock	Female Luer Lock to 1/8"(3.2mm) HB	Sterile/ Non-sterile	50
SFLRC5N	Hose Barb to Luer Lock	Female Luer Lock to 1/4"(6.4mm) HB	Sterile/ Non-sterile	50
SFLLT1N	Hose Barb to Mini Flange	1/8"(3.2mm) HB to 3/4"(19mm) TC	Sterile/ Non-sterile	10
SFLRT1N	Hose Barb to Mini Flange	1/4"(6.4mm) HB to 3/4"(19mm) TC	Sterile/ Non-sterile	10
SFLYT1N	Hose Barb to Mini Flange	3/8"(9.6mm) HB to 3/4"(19mm) TC	Sterile/ Non-sterile	10
SFLHT1N	Hose Barb to Mini Flange	1/2"(12.7mm) HB to 3/4"(19mm) TC	Sterile/ Non-sterile	10
SFLMT1N	Hose Barb to Mini Flange	3/4"(19mm) HB to 3/4"(19mm) TC	Sterile/ Non-sterile	10
SFLRS1N	Hose Barb to Maxi Flange	1/4"(6.4mm) HB to 1-1/2"(38mm) TC	Sterile/ Non-sterile	10
SFLYS1N	Hose Barb to Maxi Flange	3/8"(9.6mm) HB to 1-1/2"(38mm) TC	Sterile/ Non-sterile	10
SFLHS1N	Hose Barb to Maxi Flange	1/2"(12.7mm) HB to 1-1/2"(38mm) TC	Sterile/ Non-sterile	10
SFLMS1N	Hose Barb to Maxi Flange	3/4"(19mm) HB to 1-1/2"(38mm) TC	Sterile/ Non-sterile	10
SFLDS1N	Hose Barb to Maxi Flange	1"(25.4mm) HB to 1-1/2"(38mm) TC	Sterile/ Non-sterile	10
SFLPT1N	Male Luer to Mini Flange	3/4"(19mm) TC to Male Luer Lock	Sterile/ Non-sterile	10
SFLCT1N	Female Luer to Mini Flange	3/4"(19mm)TC to Female Luer Lock	Sterile/ Non-sterile	10

Pinch Clamp & Pinch Valve



► Features

- Common size for OD 1/4" - OD 1" tubing.
- Fit various specifications of tubing.

► Ordering Information

Part No.	Size	Packaging	Qty (pcs/pk)
HACRH5N	For OD 1/4"(6.4mm)-OD 1/2"(12.7mm) tubing	Sterile/ Non-sterile	50
HACHM5N	For OD 1/2"(12.7mm)-OD 3/4"(19.1mm) tubing	Sterile/ Non-sterile	50
HACHD5N	For OD 1/2"(12.7mm)-OD 1"(25.4mm) tubing	Sterile/ Non-sterile	50
HAVXSNN	For wall thickness 1/8"(3.2mm)-1/4"(6.4mm) tubing	Sterile/ Non-sterile	1

TC Clamp



► Features

- Reinforced nylon material, lightweight and easy to use for quick, convenient assembly release.
- Reduces distortion on polymeric components.
- More compatible and flexible with industry single-use systems than steel.

► Ordering Information

Part No.	Size	Packaging	Qty (pcs/pk)
TCCNTNN	3/4" TC	Sterile/ Non-sterile	1
TCCNSNN	1-1/2" TC	Sterile/ Non-sterile	1
TCCN2NN	2" TC	Sterile/ Non-sterile	1
TCCN3NN	3" TC	Sterile/ Non-sterile	1
TCCN4NN	4" TC	Sterile/ Non-sterile	1
TCCN6NN	6" TC	Sterile/ Non-sterile	1
TCCN8NN	8" TC	Sterile/ Non-sterile	1

TC Blind Cap



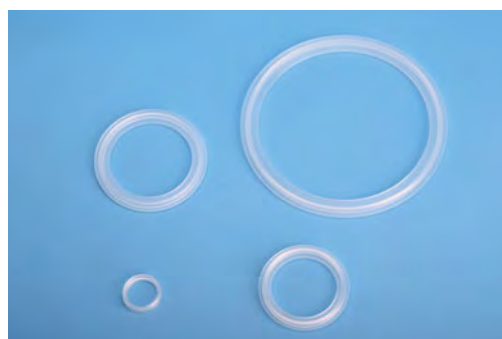
► Features

- Polypropylene (PP) material, ideal for single-use applications and general-purpose.
- Can be sterilized by gamma irradiation at 25-45 kGy or autoclaved 30 minutes at 126 °C.

► Ordering Information

Part No.	Size	Packaging	Qty (pcs/pk)
TCEPT1N	3/4"TC	Sterile/ Non-sterile	10
TCEPS1N	1 1/2"TC	Sterile/ Non-sterile	10
TCEP21N	2"TC	Sterile/ Non-sterile	10
TCEP31N	3"TC	Sterile/ Non-sterile	10
TCEP41N	4"TC	Sterile/ Non-sterile	10
TCEP61N	6"TC	Sterile/ Non-sterile	10
TCEP81N	8"TC	Sterile/ Non-sterile	10

Silicone Gasket



► Features

- Silicone, ideal for single-use applications and general-purpose.
- Can be sterilized by gamma irradiation at 25-45 kGy or autoclaved 30 minutes at 126 °C.

► Ordering Information

Part No.	Size	Packaging	Qty (pcs/pk)
TCGST1N	3/4"TC	Sterile/ Non-sterile	10
TCGS51N	1 1/2"TC	Sterile/ Non-sterile	10
TCGS21N	2"TC	Sterile/ Non-sterile	10
TCGS31N	3"TC	Sterile/ Non-sterile	10
TCGS41N	4"TC	Sterile/ Non-sterile	10
TCGS61N	6"TC	Sterile/ Non-sterile	10
TCGS81N	8"TC	Sterile/ Non-sterile	10

STS Platinum Cured Silicone Tubing



► Features

- Smooth hydrophobic inner surface.
- High flexibility, stable performance, low precipitation.

► Application

- Pharmaceutical, Food, Beverage, etc.
- Commonly used as pharmaceutical grade transfer tubing for liquid (such as protein solution, water for injection) delivery, etc.

► Ordering Information

Part No.	Inner Diameter	Outer Diameter	Thickness	Packaging	Length
STSL150N	1/8"(3.2mm)	1/4"(6.4mm)	1.6mm	Sterile/ Non-sterile	15m/50ft
STS25150N	3/16"(4.8mm)	5/16"(7.9mm)	1.6mm	Sterile/ Non-sterile	15m/50ft
STSR150N	1/4"(6.4mm)	7/16"(11.2mm)	2.4mm	Sterile/ Non-sterile	15m/50ft
STSY150N	3/8"(9.5mm)	5/8"(15.9mm)	3.2mm	Sterile/ Non-sterile	15m/50ft
STSH150N	1/2"(12.7mm)	3/4"(19.1mm)	3.2mm	Sterile/ Non-sterile	15m/50ft
STSN150N	3/4"(19.1mm)	1"(25.4mm)	3.2mm	Sterile/ Non-sterile	15m/50ft
STSC150N	1"(25.4mm)	1-1/4"(31.8mm)	3.2mm	Sterile/ Non-sterile	15m/50ft

Bag Port



► Features

- Designed for Sample Port and Dip Tube.
- Polyolefins (PO) material, compatible with leading industry single-use bags.
- Resins ensure heat sealing with polyethylene bags.

► Ordering Information

Part No.	Type	Size	Packaging	Qty (pcs/pk)
C21L-10	Dimples Barbed	1/8"(3.2mm) HB	Sterile/ Non-sterile	10
C21R-10	Dimples Barbed	1/4"(6.4mm) HB	Sterile/ Non-sterile	10
C21Y-10	Dimples Barbed	3/8"(9.6mm) HB	Sterile/ Non-sterile	10
C21H-10	Dimples Barbed	1/2"(12.7mm) HB	Sterile/ Non-sterile	10
C21M-10	Dimples Barbed	3/4"(19mm) HB	Sterile/ Non-sterile	10
C21D-10	Dimples Barbed	1"(25.4mm) HB	Sterile/ Non-sterile	10
C22L-10	Opposable Barbs	1/8"(3.2mm) HB	Sterile/ Non-sterile	10
C22R-10	Opposable Barbs	1/4"(6.4mm) HB	Sterile/ Non-sterile	10
C22Y-10	Opposable Barbs	3/8"(9.6mm) HB	Sterile/ Non-sterile	10
C22H-10	Opposable Barbs	1/2"(12.7mm) HB	Sterile/ Non-sterile	10

Powder Port



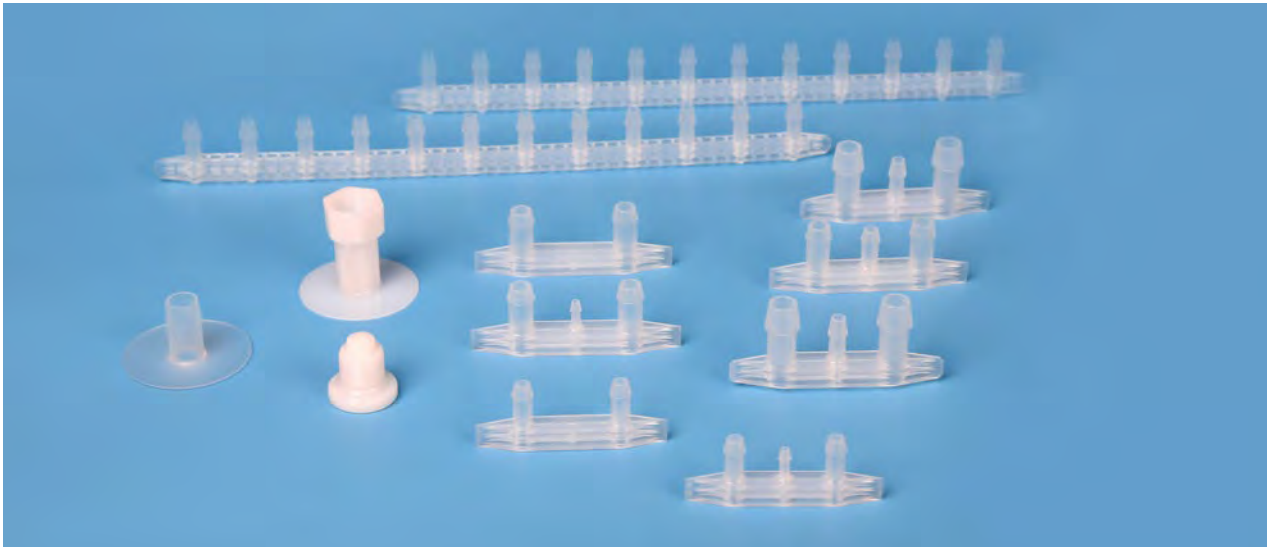
► Features

- Polyethylene (PE) material, compatible with leading industry single-use bags.
- Resins ensure heat sealing with polyethylene bags.

► Ordering Information

Part No.	Size	Packaging	Qty (pcs/pk)
C9S-10	1-1/2"TC	Sterile/ Non-sterile	10
C92-10	2" TC	Sterile/ Non-sterile	10
C93-10	3" TC	Sterile/ Non-sterile	10
C94-10	4" TC	Sterile/ Non-sterile	10
C96-10	6" TC	Sterile/ Non-sterile	10
C98-10	8" TC	Sterile/ Non-sterile	10

Boat Port & Electrode Port



► Features

- Polyolefins (PO) material, compatible with leading industry single-use bags.
- Resins ensure heat sealing with polyethylene bags.

► Ordering Information

Part No.	Type	Size	Material	Packaging	Qty (pcs/pk)
C3RNR-10	2 Ports	1/4"(6.4mm) HB-1/4"(6.4mm) HB	Polyolefins(PO)	Sterile/ Non-sterile	10
C3YNY-10	2 Ports	3/8"(9.6mm) HB-3/8"(9.6mm) HB	Polyolefins(PO)	Sterile/ Non-sterile	10
C3HNNH-10	2 Ports	1/2"(12.7mm) HB-1/2"(12.7mm) HB	Polyolefins(PO)	Sterile/ Non-sterile	10
C3RLR-10	3 Ports	1/4"(6.4mm) HB-1/8"(3.2mm) HB-1/4"(6.4mm) HB	Polyolefins(PO)	Sterile/ Non-sterile	10
C3RRR-10	3 Ports	1/4"(6.4mm) HB-1/4"(6.4mm) HB-1/4"(6.4mm) HB	Polyolefins(PO)	Sterile/ Non-sterile	10
C3YLY-10	3 Ports	3/8"(9.6mm) HB-1/8"(3.2mm) HB-3/8"(9.6mm) HB	Polyolefins(PO)	Sterile/ Non-sterile	10
C3YRY-10	3 Ports	3/8"(9.6mm) HB-1/4"(6.4mm) HB-3/8"(9.6mm) HB	Polyolefins(PO)	Sterile/ Non-sterile	10
C3HRH-10	3 Ports	1/2"(12.7mm) HB-1/4"(6.4mm) HB-1/2"(12.7mm) HB	Polyolefins(PO)	Sterile/ Non-sterile	10
C3R04	4 Ports	1/4"(6.4mm) HB	Polyolefins(PO)	Sterile/ Non-sterile	10
C3R06	6 Ports	1/4"(6.4mm) HB	Polyolefins(PO)	Sterile/ Non-sterile	10
C3R08	8 Ports	1/4"(6.4mm) HB	Polyolefins(PO)	Sterile/ Non-sterile	10
C3R10	10 Ports	1/4"(6.4mm) HB	Polyolefins(PO)	Sterile/ Non-sterile	10
C3R12	12 Ports	1/4"(6.4mm) HB	Polyolefins(PO)	Sterile/ Non-sterile	10
C2S135-10	Bag Port	PG13.5 Thread	Polyethylene (PE)	Sterile/ Non-sterile	10
PAS135-10	Thread Plug	PG13.5 Thread	Polypropylene (PP)	Sterile/ Non-sterile	10
C2SH-10	Electrode Port	1/2"(12.7mm) HB	Polyolefins(PO)	Sterile/ Non-sterile	10
C2SM-10	Electrode Port	3/4"(19mm) HB	Polyolefins(PO)	Sterile/ Non-sterile	10

Tubing Bag Port



► Features

- Polyolefins (PO) material, compatible with leading industry single-use bags.
- Resins ensure heat sealing with polyethylene bags.

► Ordering Information

Part No.	Size	Packaging	Qty (pcs/pk)
CBL-10	1/8"(3.2mm) HB	Sterile/ Non-sterile	10
CBR-10	1/4"(6.4mm) HB	Sterile/ Non-sterile	10

Drain Valve



► Features

- PE+Silicone+Polypropylene material, compatible with leading industry single-use bags.
- Resins ensure heat sealing with polyethylene bags.

► Ordering Information

Part No.	Size	Packaging	Qty (pcs/pk)
CDH	1/2"(12.7mm) HB	PE+Silicone+Polypropylene	1
CDM	3/4"(19mm) HB	PE+Silicone+Polypropylene	1

Cobetter single-use accessories meet multiple requirements

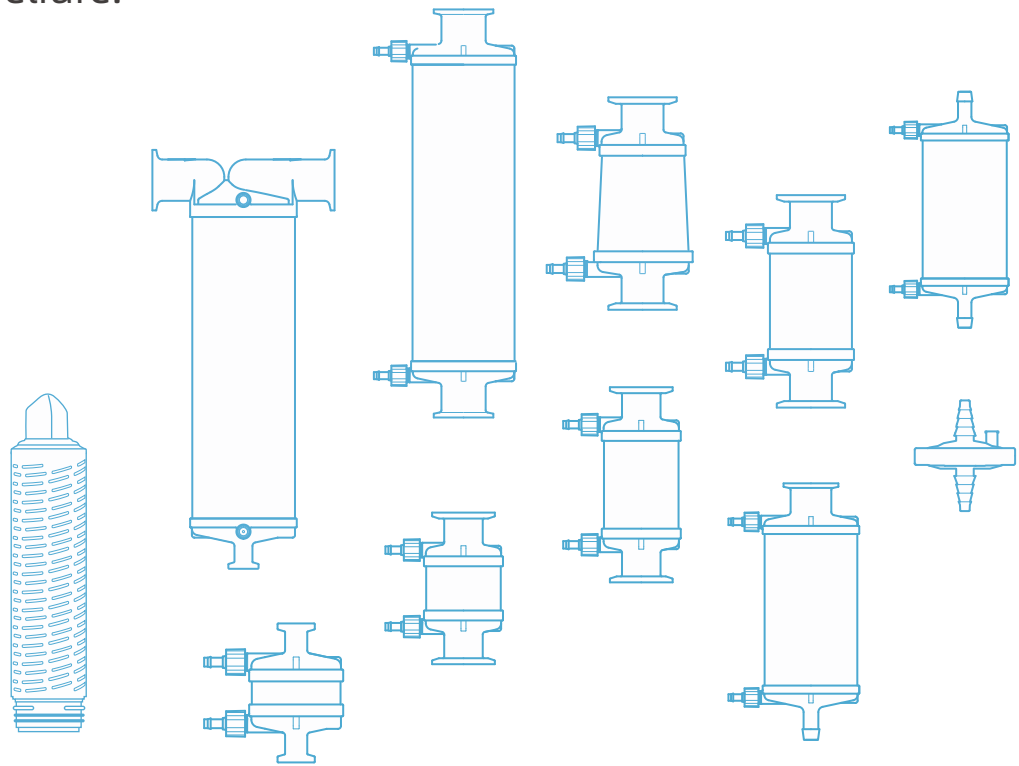
- √ ISO Class 7 clean zones
- √ Certified by ISO 9001:2015 Quality Management System
- √ Meet the FDA Indirect Food Additive requirements cited in 21 CFR 177-182
- √ Meet the requirement of USP <87> In Vitro Biological Reactivity Test
- √ Meet the criteria of the USP <88> Biological Reactivity Test for Class VI plastics
- √ Aqueous extraction contains < 0.25 EU/mL as determined by Limulus Amebocyte Lysate (LAL), USP <85>
- √ Particulate matter in the product eluent meets the requirements in USP <788> for large volume parenterals

All Cobetter single-use accessories comply with the Federal Food, Drug, and Cosmetic Act and applicable food additive regulations.

Structural Components	Material	FDA 21 CFR Reference	Test Results
Bag Membrane (Liquid Contact Layer)	9101 Membrane, Ultra Low Density Polyethylene (ULDPE)	177.1520	Compliance
	Lifemeta KA Membrane, Ultra Low Density Polyethylene (ULDPE)	177.1520	
Bag Port	Polyolefins (PO)	177.1520	Compliance
Tubing	Platinum Cured Silicone Tubing, Silicone	177.2600	Compliance
	C-Flex, TPE	177.2600	
Quick Coupling	Polysulfone (PSF)	177.1655	Compliance
	Silicone	177.2600	
Fitting	Polypropylene (PP)	177.1520	Compliance

Our Mission

Through innovative, cost-efficient, and sustainable filtration solutions, we help our customers enhance human and animal welfare.



Please contact us for more information

Hangzhou Cobetter Filtration Equipment Co.,Ltd.

Sales Add 13-18 F, Building 1, Zicheng International Innovation Center, No.39
Jincheng Road, Xiaoshan District, Hangzhou 311215, China

Factory Cobetter Park, Heshang New Material Industrial Park, Xiaoshan District,
Hangzhou 311265, China

Tel +86-400-070-4266
Fax +86-571-87704256
www.cobetterfiltration.com